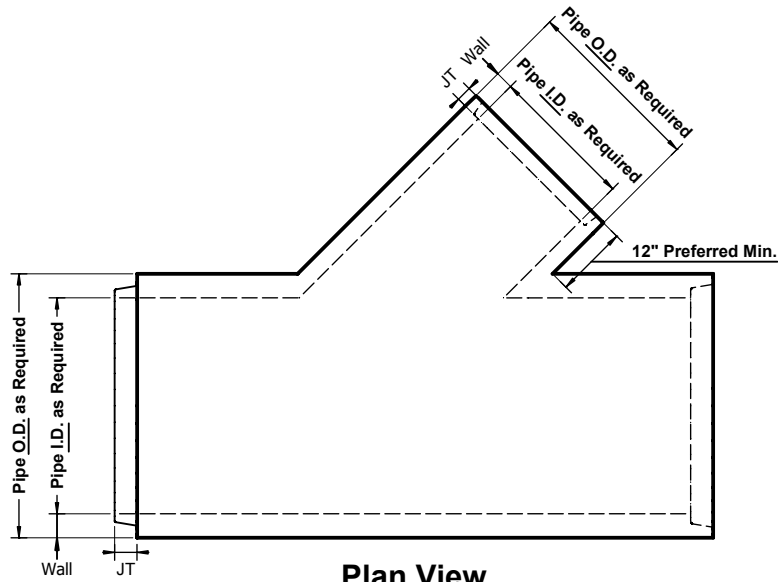
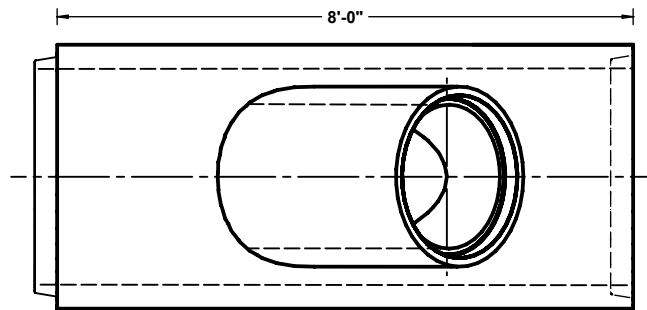


Reinforced Concrete Pipe - Wye Submittal



Plan View

Tongue and Groove Joint



Profile View

I.D.	Wall	O.D.	JT
15"	2¼"	19½"	2"
18"	2½"	23"	2¼"
24"	3"	30"	2¾"
30"	3½"	37"	3¼"
36"	4"	44"	3¾"
42"	4½"	51"	4"
48"	5"	58"	4¼"

Notes:

- Pipe shall be made in accordance with ASTM C76, B wall minimum
- Class III, IV, and V meet minimum design strength required per ASTM
- Steel reinforcing cage meets typical standards



6905 South Old Bastrop Hwy
 San Marcos Texas, 78666
 PH: (830) 606-6200
capitalprecastinc.com

Reinforced Concrete Pipe - Wye Submittal

Job:

Drawn:

AC

Rev:

Date:

6/5/2024